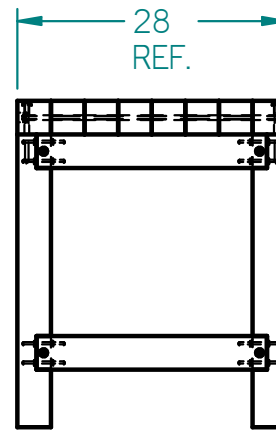
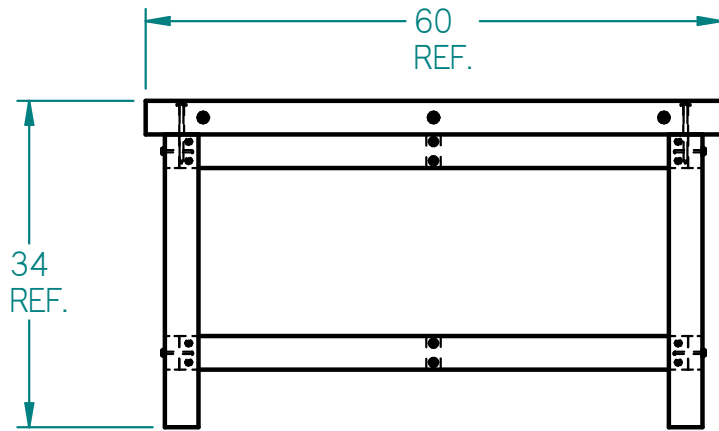
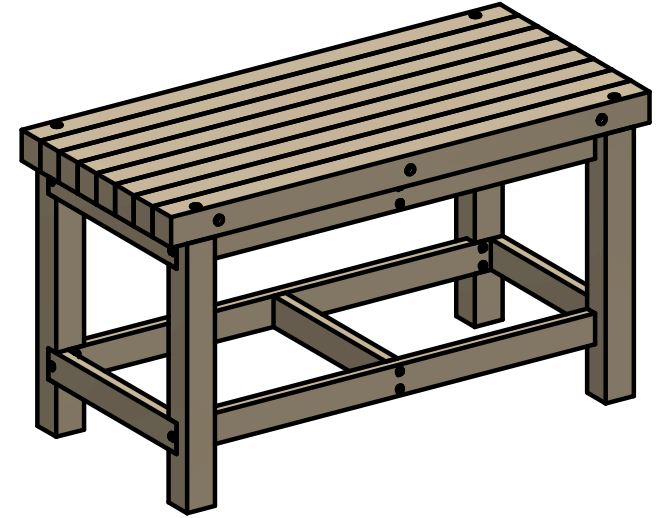
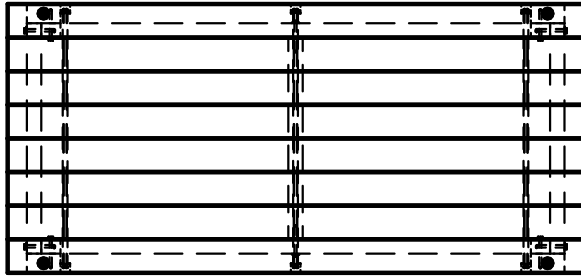
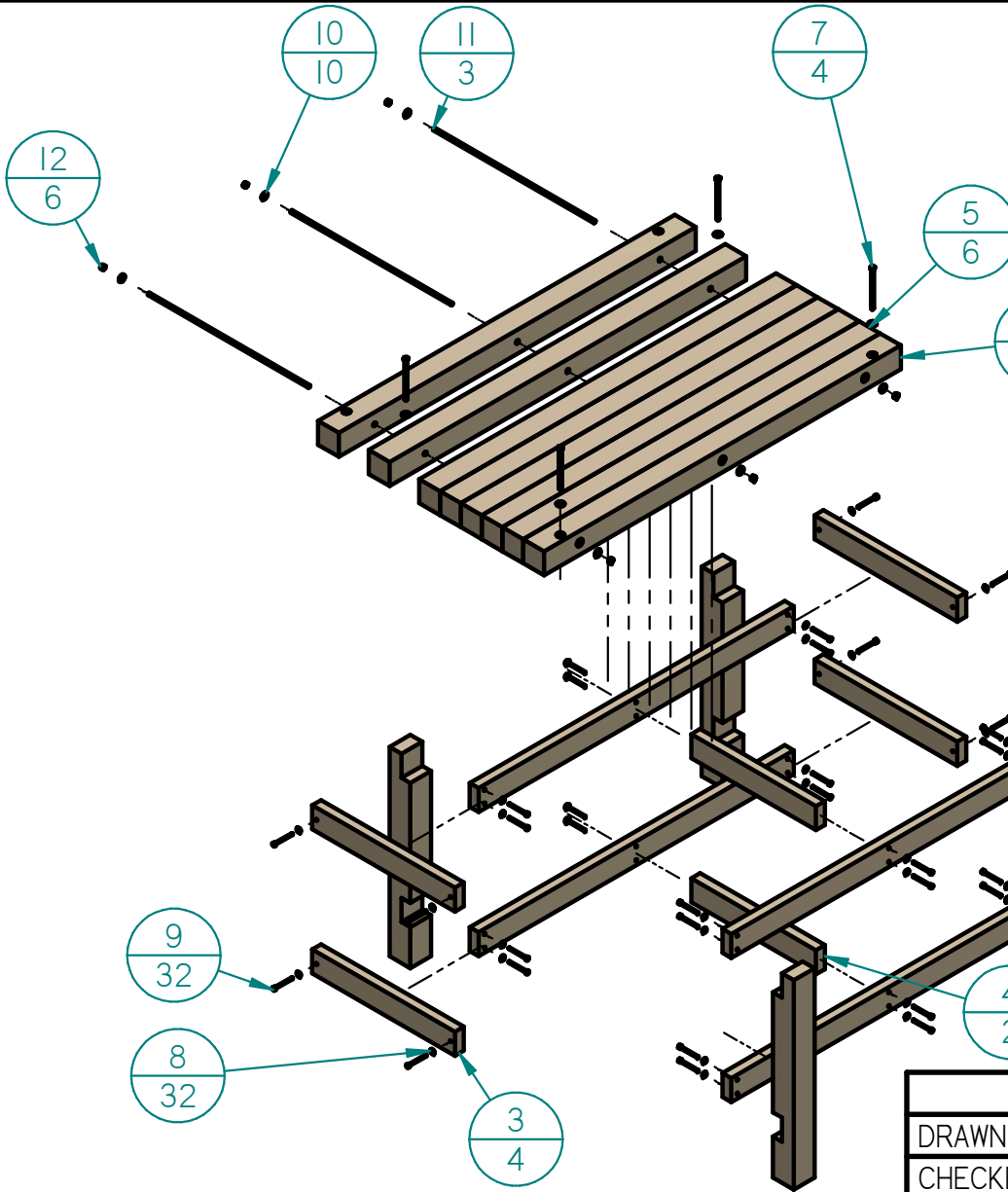


REVISION HISTORY

REV	DESCRIPTION	DATE	APPROVED



	NAME	DATE	<h1>Solid Edge</h1> <p>BENCH ASM</p>		
DRAWN	sheldon	12/11/13			
CHECKED					
ENG APPR					
MGR APPR			TITLE		
UNLESS OTHERWISE SPECIFIED DIMENSIONS ARE IN INCHES ANGLES ±XX° 2 PL ±X.XX 3 PL ±X.XXX			SIZE A	DWG NO	REV 1
			FILE NAME: bench.dft		
			SCALE:	WEIGHT:	SHEET 1 OF 2



REVISION HISTORY			
REV	DESCRIPTION	DATE	APPROVED

ITEM NO.	DESCRIPTION	QTY
1	LEG	4
2	CROSSBEAM, LONG	4
3	CROSSBEAM, SHORT	4
4	CROSSBEAM, MIDDLE	2
5	TABLE TIMBER, MIDDLE	6
6	TABLE TIMBER, ENDS	2
7	LAG BOLT, 3/8 X 6	4
8	WASHER, 1/4 x 3/4 x 1/16	32
9	LAG BOLT, 1/4 X 3	32
10	WASHER, 3/8 X 1 X 1/16	10
11	THREADED ROD, 3/8	3
12	NUT, 3/8	6

	NAME	DATE
DRAWN	sheldon	12/11/13
CHECKED		
ENG APPR		
MGR APPR		

Solid Edge

BENCH ASM

UNLESS OTHERWISE SPECIFIED
 DIMENSIONS ARE IN INCHES
 ANGLES ±XX°
 2 PL ±X.XX 3 PL ±X.XXX

SIZE A	DWG NO	REV 1
FILE NAME: bench.dft		
SCALE:	WEIGHT:	SHEET 2 OF 2