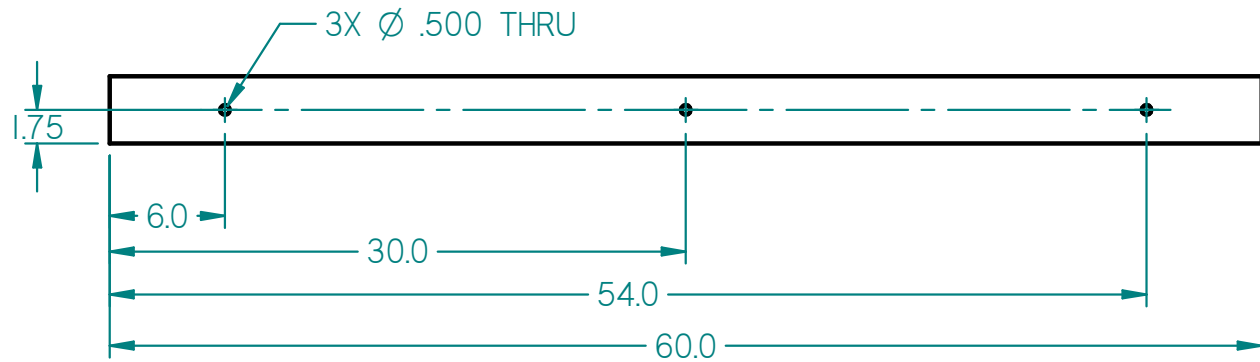
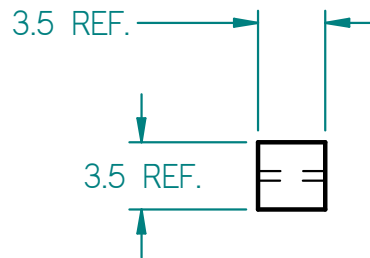


REVISION HISTORY

REV	DESCRIPTION	DATE	APPROVED



	NAME	DATE	<h1>Solid Edge</h1>		
DRAWN	sheldon	12/13/13			
CHECKED			TITLE TABLE TIMBER, MIDDLE		
ENG APPR					
MGR APPR			SIZE A	DWG NO	REV 1
UNLESS OTHERWISE SPECIFIED DIMENSIONS ARE IN INCHES ANGLES ±XX° 2 PL ±X.XX 3 PL ±X.XXX			FILE NAME: table beam 2.dft		
			SCALE:	WEIGHT:	SHEET 1 OF 1